

TotalStream



Large Scale High Performance

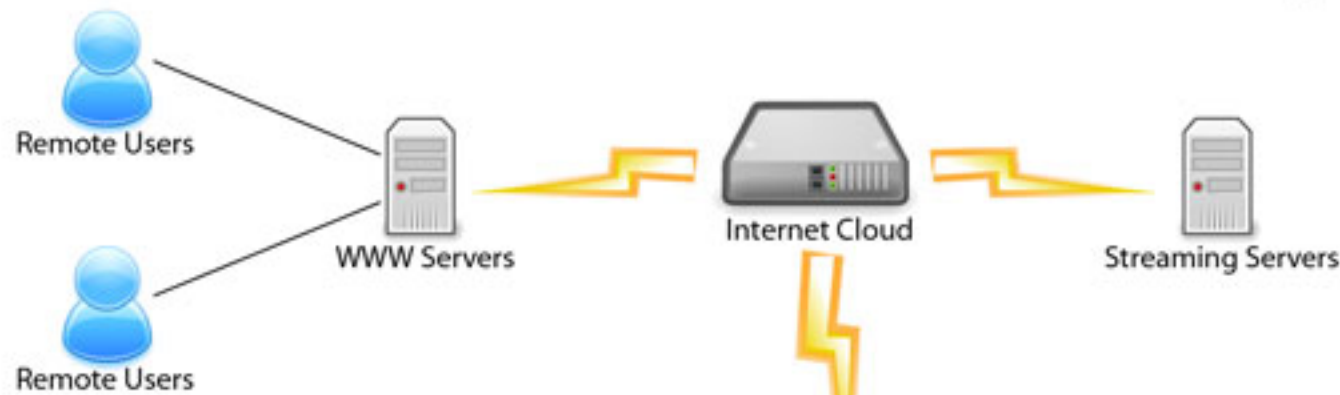
VIDEO STREAMING



TotalStream

PO Box 41270
5190 Neal Road Suite 430
Reno, NV 89504
(877) 640-6608

Satellite Downlink and Encoding



Process:

At the earth station: Install a video capture card such as an Osprey 230 in the encoding workstation. Connect the receiver to the encoding workstation, for example using S-video cable and audio cable with RCA jack. Connect the workstation to the existing LAN using Cat5/6 cabling. Note the external static IP address of the workstation.

Install Microsoft Windows Media encoder 9 software on the workstation. Recommend that a remote access application such as PCAnywhere or VNC also be installed.

Configure the encoder software for the bit rate desired (500 kbps+ is recommend), verify connectivity to the receiver, and select a port number such as 8080 (default).

Activate the encoder, and content will then stream over the internet, where the stream will be replicated by TotalStreams video streaming servers to the viewers.

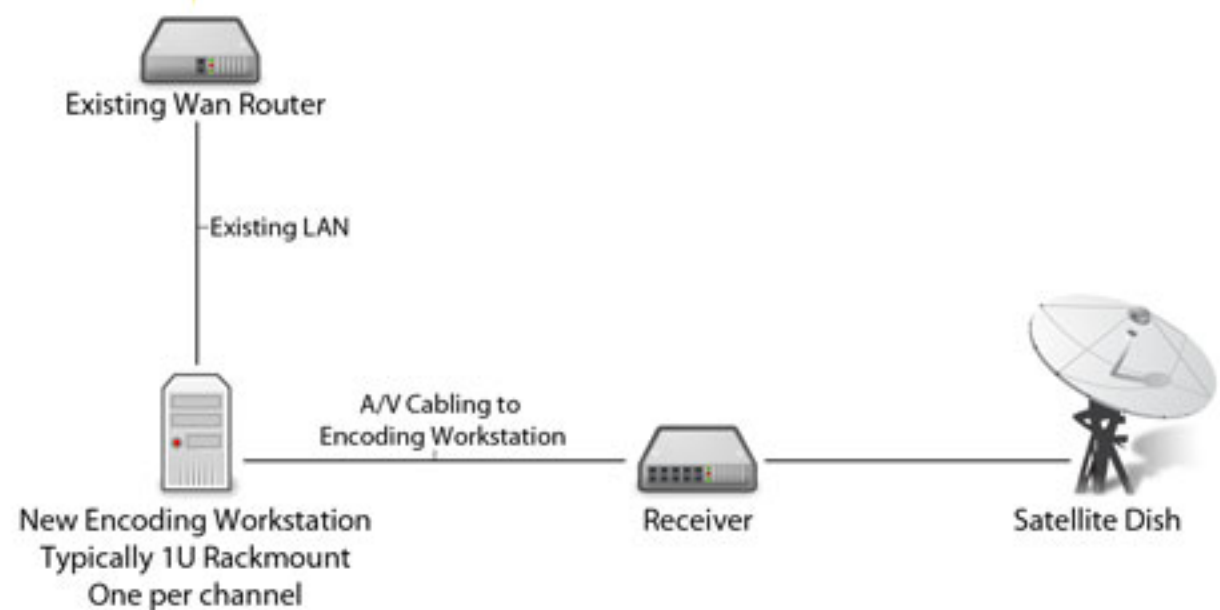
Viewer:

To watch the TV content, the viewer clicks on a link on the clients website. Link is auto-generated prior to the event, based on static IP address and port number.

It is recommended that one encoding workstation be used per channel, for reliability and performance reasons.

Media encoder software can be downloaded free from <http://www.microsoft.com/windows/windowsmedia/forpros/encoder/default.aspx>

Client is responsible for the encoding workstation, and internet connectivity at each location.



TotalStream

Totally Committed to Our Customers